



Machining for industrial needs

Top-quality machining from Imatra with over 40 years of experience!



- Making large pieces
- Big, precise, demanding machining
- If necessary, fast delivery times
- Trusted partner
- 24/7 customer service
- Our machines range from 10g to 50,000kg





Services

Machining for industrial needs!

Our expertise is the manufacture, maintenance, balancing and grinding of paper, cardboard, pulp, and steel industry rollers. The masses of the treated pieces are from ten grams to 50,000 kg.

In addition, our customers are mining and energy industry companies.

Structures welded through our subcontracting network, which of our machines.

High quality

High-class work quality is a key factor when it comes to the machining of factories and the parts manufactured and serviced for them.

Flexibility

For our customers, round-the-clock service is important so that factory processes can be started quickly in the event of a fault.

Competence

We have been operating in the field since 1983. Solid experience, innovation and the ability to meet customer needs are our strengths.



GEMINIS GT7i G4 2000 X 12000

Turning diameter 2000mm/1700mm

Max piece length 12.5m

Siemens 840 D Solution Line CNC control

Cylindrical grinding equipment

Belt grinding equipment

Milling/drilling equipment.

C-axis accuracy 0.005 degrees.

Y-axis +/- 50 mm

Max mass of the piece 40t, between center 30t



WMW Heckert CNC router

X4500 Y1000 Z1250

Sinumerik 850M CNC control

6-axis

Tool magazine for 60 tools



DAH-LIH MCV-2100 machining center

Fanuc 0M CNC control

X2100 Y850 Z760

Table 630x430

Tool magazine for 13 tools

Spindle motor power 18.5 kW



Geminis-GE-1400-5-4G

Turning diameter 1400mm/1200mm

Max piece length 10.5m

Siemens 810 CNC control

Cylindrical grinding equipment

Belt grinding equipment

max. mass 22.5t

Geminis CNC4 plus lathe

rotation diameter 720mm/470mm

max length of piece 2000mm

Chevalier FCL 2560

Turning diameter 630 mm

The maximum length of the piece is 1500mm



Naxos Union ROLL GRINDER

max. rotation diameter 1800mm

max. piece length 10m

measuring device (diameter difference,
roundness and throw)

max. unit mass 50 tons



Vibration measuring devices

- Schenk Vibrotest M496
- Schenk Vibrotest 42

Balancing machines

Borgo-Torino ED 500 TS
rotation speed 350-700-1400 r/ min
piece mass 5-500kg

TP-IKP
rotation speeds 200-2500 r/min
piece masses 50-12500kg



Measuring devices

- Surface roughness meters 2 pcs
- Micrometers external 0-1000mm
- Micrometers inside 20-1000mm
- Coating thickness meter
- Collimator alignment device
- Precision spirit levels
- Circometers 300-1500m

Cranes 2 pcs 50 tons

- 2x25 tons
- a total of 50 tons with two hooks.



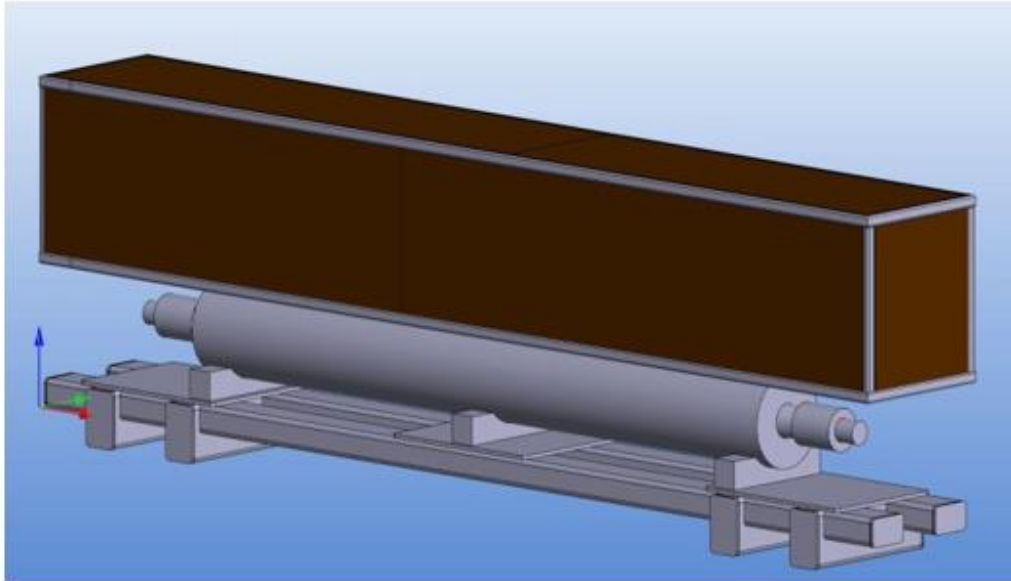
HEYLIGENSTAED 650 ES / 4000 CNC

- rotation diameter 1100mm/800mm
- max piece length 4m

Heidenhain MANUELplus 4110

Belt sanders

maximum mass of the piece is 10 tons



VERTEX 3D Mechanical design



ON-SITE machining

Contact information

CEO

Anssi Matkonen

+358 50 596 78 60

anssi.matkonen@ikpoy.fi

Sales

Pekka Huikko

+358 41 505 71 07

pekka.huikko@fid.fi

